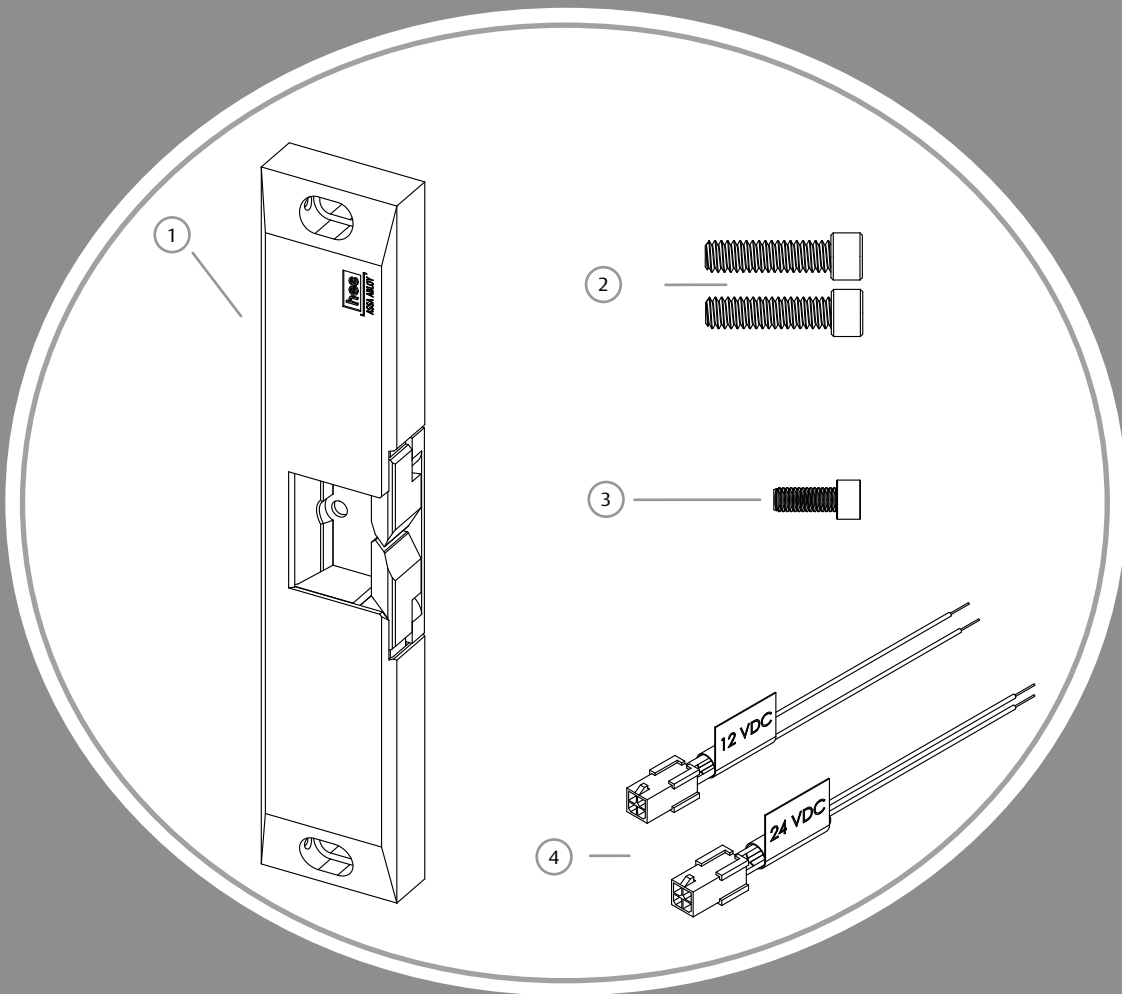


# Product Components

- ① 9500/9600 Electric Strike Body
- ② 1/4"-20 x 1" Mounting Screws
- ③ #10-32 Final Lockdown Screw
- ④ 12 & 24 Volt Pigtails



## Diagram 1: Electrical Specifications

ELECTRICAL RATINGS FOR SOLENOID		
CONTINUOUS DUTY	12VDC	24VDC
Resistance in Ohms	26.6	106.6
Amps	.45	.225
Solenoid voltage is rated at +/- 10% indicated value.		

MINIMUM WIRE GAUGE REQUIREMENTS	SOLENOID VOLTAGE	
	12VDC	24VDC
200 feet or less	14 gauge	18 gauge
200 - 300 feet	12 gauge	18 gauge
300 - 400 feet	14 gauge	16 gauge

# Installation Directions

**CAUTION!** Before connecting any device at the installation site, verify input voltage using a multimeter. Many power supplies and low voltage transformers operate at higher levels than listed. Any input voltage exceeding 10% of the solenoid rating may cause severe damage to the unit and will void the warranty.

## Prepare Strike

1. Select the appropriate Plug In Connector that matches system power and electrically connect as illustrated in Diagram 2. For 12V DC, the pigtail marked "12 VDC" should be used. For 24V DC, the pigtail marked "24 VDC" should be used. If no connector is present, configure the wires as illustrated within Diagram 2.
2. If using the Latchbolt Monitor (LBM) or Latchbolt Strike Monitor (LBSM), see Diagram 3 & 4 on page 3 to complete wiring.
3. Verify that the strike is in the correct mode of operation for your application. If you need to convert to Fail Safe Operation see Diagram 5 on page 3.

## Prepare Frame

4. Prepare the door jamb using the Installation Template located on page 4 (with the exception of the 10-32 UNF threaded hole).

## Finish Installing

5. Connect power wires and attach electric strike to jamb using the 1/4 x 20 cap screws provided.
6. Check latchbolt interaction. Horizontal Adjustment can be made using the #10-32 setscrews as shown on page 4.
7. Remove strike, drill and tap the 10-32 UNF threaded hole and install the 10-32 cap screw provided after horizontal adjustment has been made. (optional on 9600 series, but required for 9500 fire rated installations)

DIAGRAM 2: 12V to 24V CONVERSION

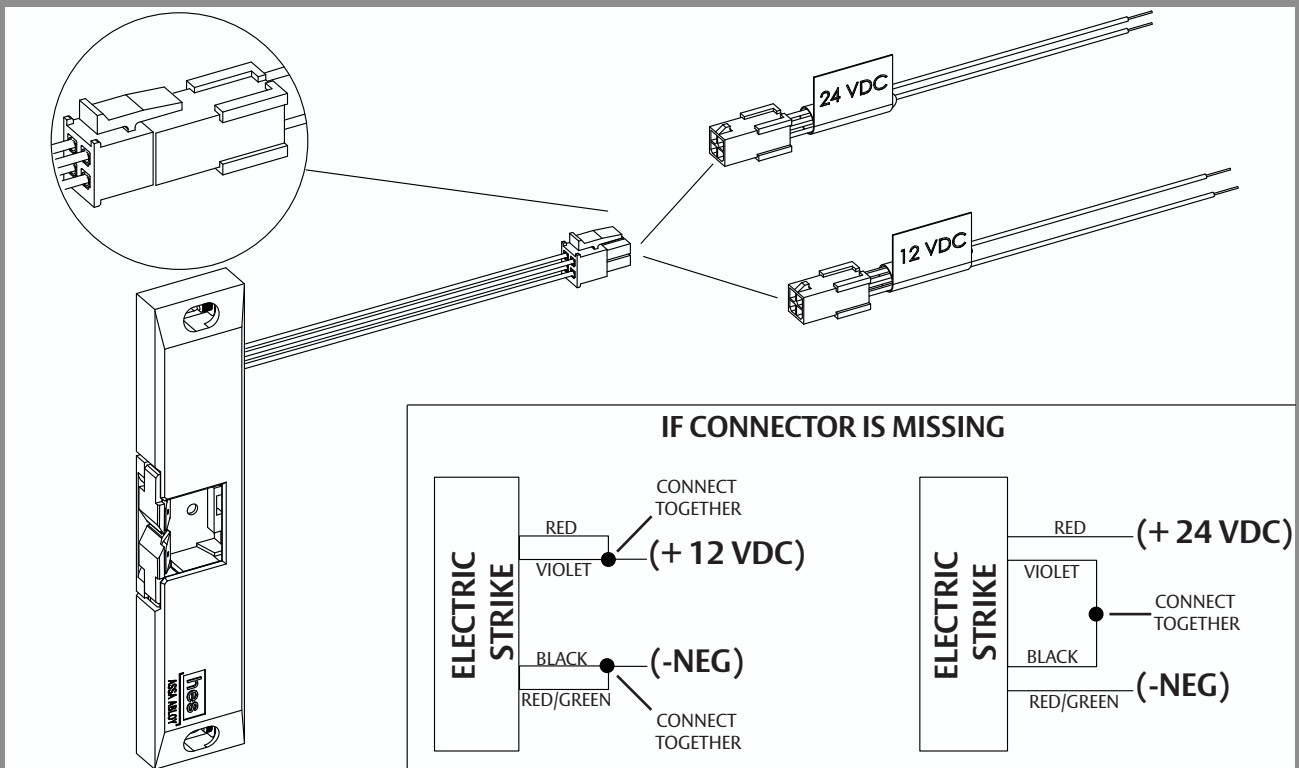


DIAGRAM 3: LATCHBOLT MONITOR

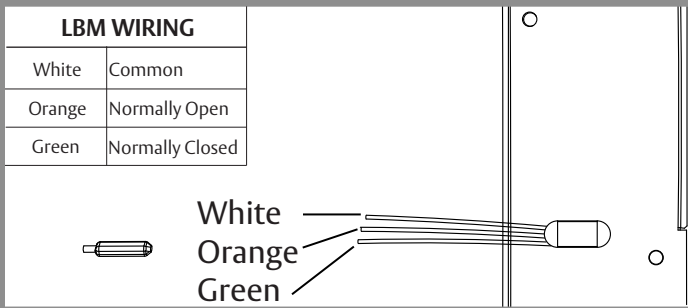


DIAGRAM 4: STRIKE MONITOR

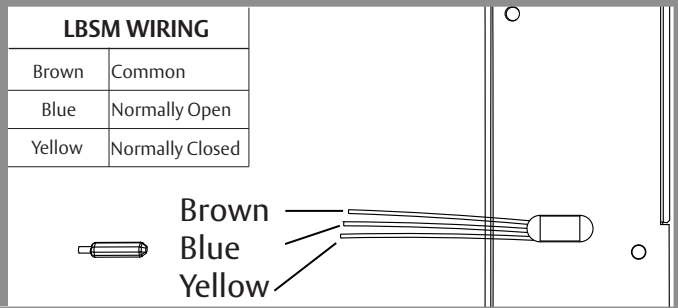


DIAGRAM 5: FAIL SAFE CONVERSION

### Convert Mode

The 9500/9600 series Electric Strike is pre-set for FAIL SECURE OPERATION as shown in Figure 1.

1. To convert to Fail Safe Operation, loosen the 4-40 screws located on the rear of the strike as shown in Figure 2, but do not remove them.

2. Move the screws to the Fail Safe Operation position as pictured (away from the center of the strike) in Figure 2. There are screws on both the left and right side of strike. Both pairs of screws must be repositioned to convert the strike to Fail Safe Operation.

3. Tighten both sets of 4-40 screws after they have been moved to the Fail Safe Operation position.

4. For 9500 series strikes, remove the "Listed Fire Rated Hardware" label if the strike is used in the fail safe operation. Using the 9500 in Fail Safe operation negates the fire rating.

### Verify

Verify that both keepers are in Fail Safe Operation. Both keepers should be unlocked without power, but lock when power is applied.

If one or both keepers is still in the Fail Secure Operation, verify that the 4-40 screws have been moved all the way into the countersunk hole as illustrated in Figure 2.

Figure 1: FAIL SECURE OPERATION

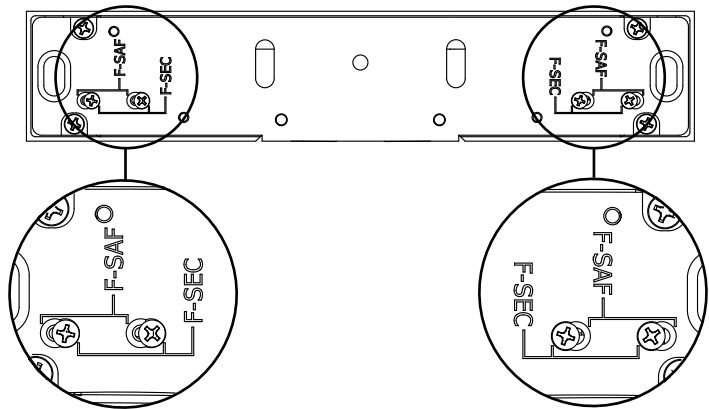
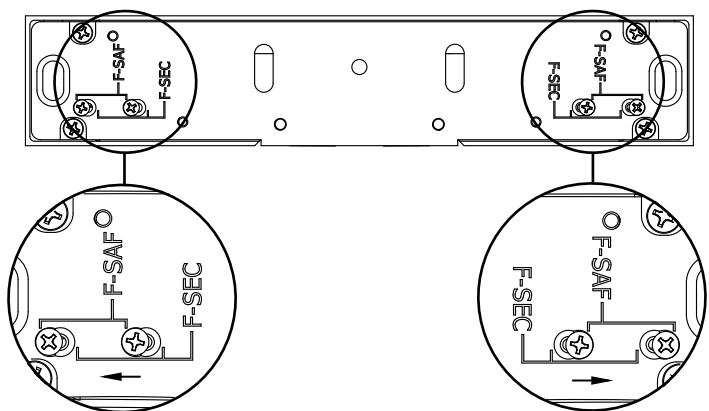
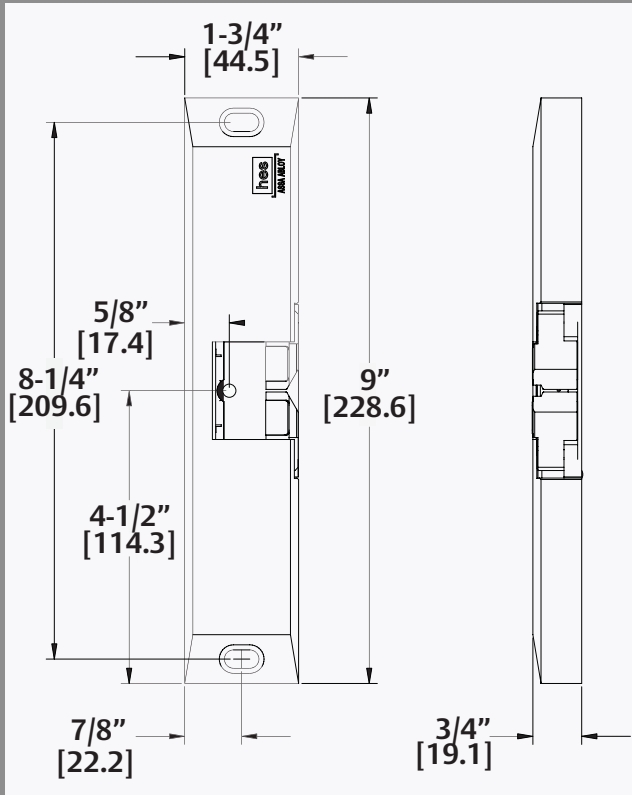


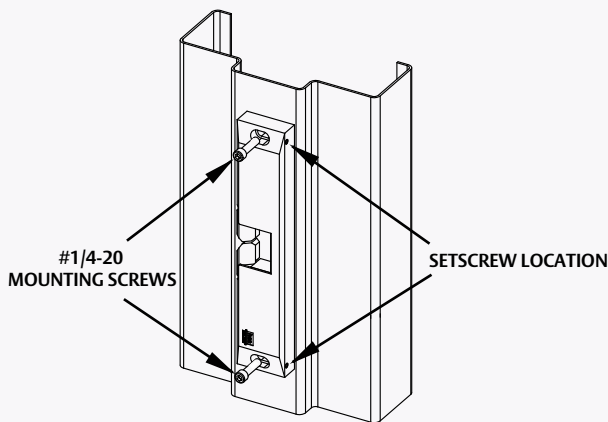
Figure 2: FAIL SAFE OPERATION\*



## 9500/9600 DIMENSIONS



## HORIZONTAL ADJUSTMENT



1. Loosen the two #1/4-20 mounting screws.
2. Adjust strike to appropriate horizontal position.
3. Tighten the two #1/4-20 mounting screws.
4. Lock down adjustment by tightening the setscrews.

